

MODEL: CLIVUS MULTRUM™14 (CM14)

Overall Dimension: 2080 x 1500 x 1090 mm (L x W x H)

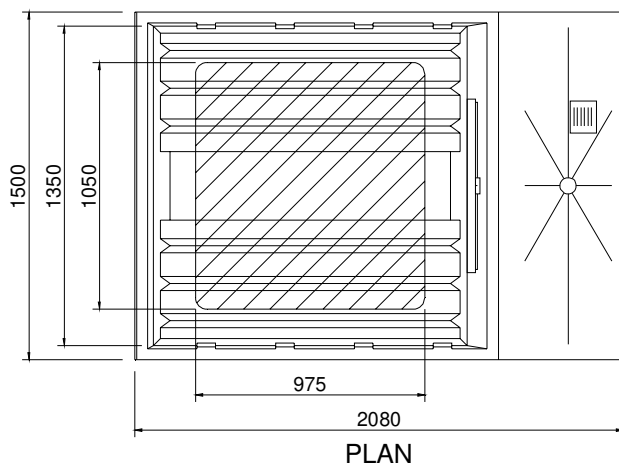
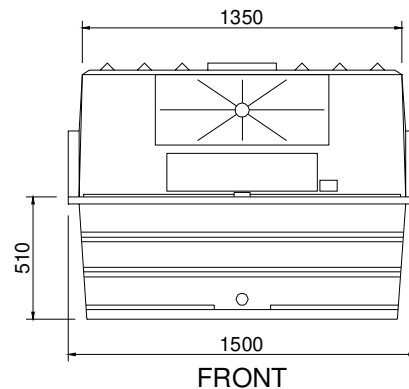
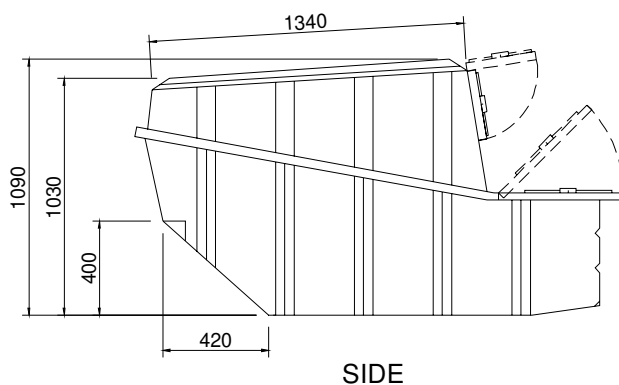
Projected Capacity: 38 visits daily (average) or 14,000 visits annually

Description:

The CM14 is ideal for most domestic applications and particularly small facilities where height under a house or building is limited. CM14 can accommodate two toilet pedestals.

Specifications:

| | |
|---------------------------------|--------------------------------------------------------------------------------------------|
| Material | Low Density Polyethylene – LDPE |
| Waste Chamber | Stainless Steel Baffle Air Duct Polyethylene Rear Baffle Inspection/ Access Doors |
| Finished Compost Chamber | 1400 x 400 mm Access Lid |
| Liquid End Product Drain | All Required Fittings Absorption Trenching |
| Fasteners | Stainless Steel |
| Fittings | Corrosion Resistant Materials |



TOILET CHUTE/S
PREFERABLY TO BE
LOCATED IN HATCHED AREA