

MODEL: CLIVUS MULTRUM™8 (CM8)

Overall Dimension: 1550 x 1232 x 1065 mm (L x W x H)

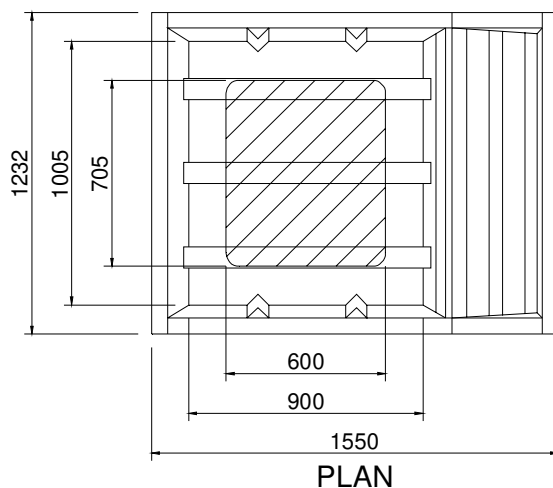
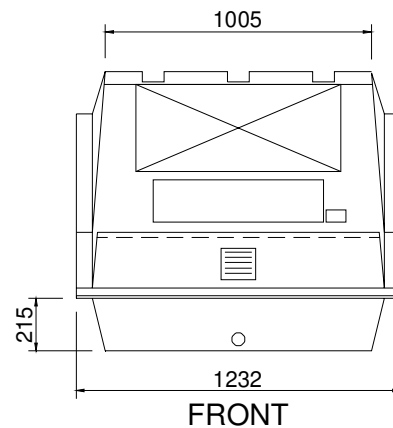
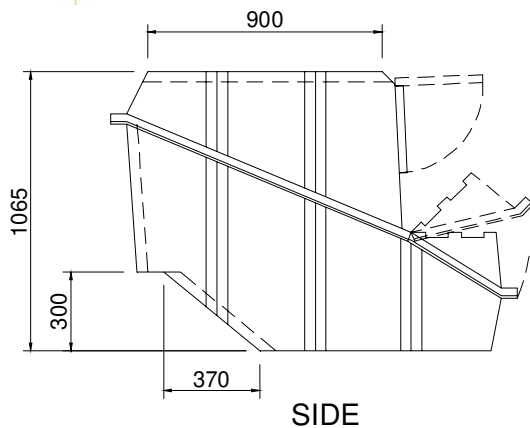
Projected Capacity: 20 visits daily (average) or 8,000 visits annually

Description:

The CM8 is ideal for most domestic applications. Each CM8 can accommodate one toilet pedestals.

Specifications:

Material	Low Density Polyethylene – LDPE
Waste Chamber	Stainless Steel Baffle Air Duct Polyethylene Rear Baffle Inspection/ Access Doors
Finished Compost Chamber	1000 x 350 mm Access Lid
Liquid End Product Drain	All Required Fittings Absorption Trenching
Fasteners	Stainless Steel
Fittings	Corrosion Resistant Materials



**TOILET CHUTE
PREFERABLY TO BE
LOCATED IN HATCHED AREA**